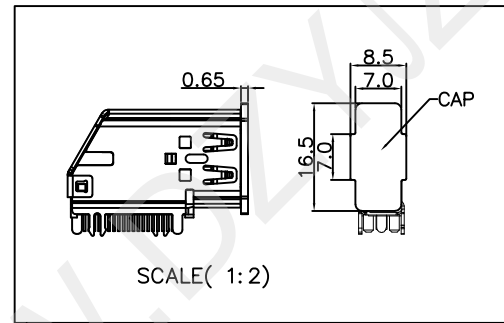
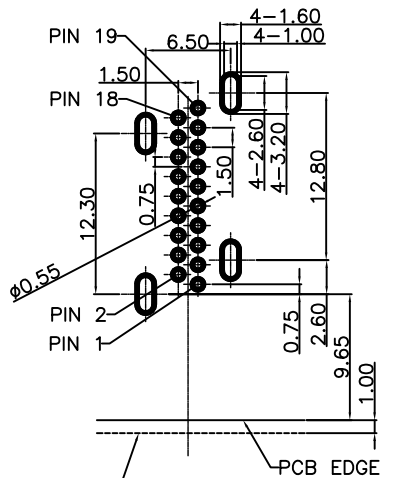


SPECIFICATION:
 1.Electrical characteristics
 1-1: Voltage rating: DC 40v.
 1-2: Current rating:0.5A
 1-3: Contact resistance:EXCLUDING CONDUCTOR 10mΩ Max.(initial)
 After test:CHANGE FROM INITIAL VALUE 30mΩ Max.
 1-4. SHELL RESISTANCE: EXCLUDING CONDUCTOR RESISTANCE 10 mΩ Max.
 After test:CHANGE FROM INITIAL VALUE 50mΩ Max.
 1-5.Insulation resistance:UNMATED PLUG 100MΩ Min(500V DC).
 MATED PLUG: 10MΩ Min(500V DC).
 1-6.Withstanding voltage: UNMATED PLUG 500V DC
 MATED PLUG 150V DC Characteristics
 2-1.Life test: 10000 cycles
 2-2.Mating force:4.5Kgf Max.
 Unmating force:1-4.0Kgf
 3.Wave Solder:Resistance to solder heat 270°C,5 sec.
 IR Reflow, Peak Temp230-250°C 20-90sec, 260°C 3-5sec.

PIN 19	HOT PLUG DETECT		
PIN 17	DDC/CEC GROUND	PIN 18	+5V POWER
PIN 15	SCL	PIN 16	SDA
PIN 13	CEC	PIN 14	RESERVED (N.C ON DEVICE)
PIN 11	TMSD CLOCK SHIELD	PIN 12	TMSD CLOCK -
PIN 9	TMSD DATA0 -	PIN 10	TMSD CLOCK +
PIN 7	TMSD DATA0 +	PIN 8	TMSD DATA0 SHIELD
PIN 5	TMSD DATA1 SHIELD	PIN 6	TMSD DATA1 -
PIN 3	TMSD DATA 2-	PIN 4	TMSD DATA1 +
PIN 1	TMSD DATA 2+	PIN 2	TMSD DATA2 SHIELD
PIN	Signal Assignment	PIN	Signal Assignment



SCALE(1:2)

4	CAP	1	LCP 30%. G.F UL94V-0	BLACK
3	HDMI SHELL	1	SUS304 T=0.5	焊脚区域镀雾锡50u" Min., 其余清洗
2	TERMINAL	19	C2680 T=0.2	Au 1-30u" Tin 80-120u" Nickel 50u"
1	HOUSING	1	LCP 30%. G.F UL94V-0	BLACK
NO.	DESCRIPTION	QTY	PARTS MATERIAL	PLATING OR COLOR

深圳市华宇创精密电子有限公司

TOLERANCE: X.X ±0.30 X.XX ±0.25 X.XXX ±0.15 X' ±2' X.X' ±0.5'	DRAWN BY : 陈一鸣	DATE : 2014-02-23	PART NAME: HDMI2.1 A TYPE 侧插 鱼叉脚
	CHECKED BY: 马跃	DATE : 2014-02-23	PART NO. HVC178-HDMI A19-265
UNIT: mm [inch] SCALE:1:1 SIZE: A4	APPROVED BY: 邱敏	DATE : 2014-02-23	DRAW NO: HVC-2606161522
			SHEET NO. 1 OF 1

Interior Side Off Back Panel
 RECOMMENDED PCB LAYOUT
 TOP VIEW (TOLRANCE: ±0.05)